

F&B / Room service / Minibar restocking trolleys

Lugano 800

Discrete minibar restocking



Standard equipment

- Anodised aluminium frame
- 1 compartment for small products with lid
- 3 drawers (depth 100mm) on telescopic rails, height adjustable
- Doors (opening up to 270°) with lock
- 4 swivelling wheels Ø125mm with non-marking polyamide layer
- 4 swivelling corner pads for protection
- 1 horizontal steering handle

Technical info

- Net weight (without options): 56 kg
- Allowed weight per shelf: 35 kg

LUGANO 800

Options

- Small products compartment
 - Linear dividers
 - Partitioning
- Drawers
 - Linear dividers
 - Partitioning
 - Non-slip carpet
- 5th steering wheel coupled with 4 swivelling wheels
- Motorisation

LUGANO 800

Finishes

Compact finishes



Wenge oak look

Ref xx = 11



Black caviar look

Ref xx = 14



Brown buffalo look

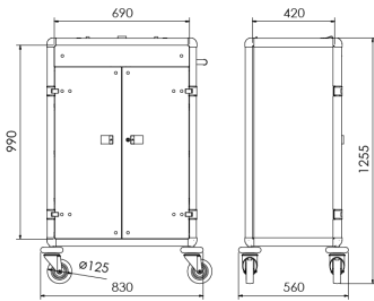
Ref xx = 16



Almond look

Ref xx = 17

Dimensions



LUGANO 800

Overall dimensions

Width	Depth	Height	Wheels Ø
830 mm	560 mm	1255 mm	125 mm

Inside dimensions

Width	Depth
690 mm	420 mm